

INDUSTRIAL GAUGES -  
ELECTRICAL



Engine instrumentation and electrical meters  
Custom engineered for bottom line performance

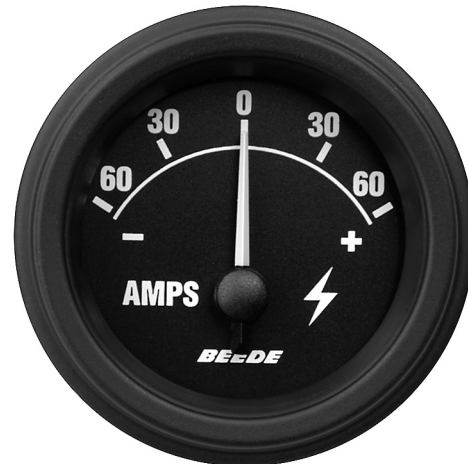
# Heavy-Duty Industrial Gauges – Electrical

**Custom designs  
Made in the USA  
Available now!**  
**HEAVY-DUTY  
INDUSTRIAL SERIES**

**Benefits:**

- Durable, high-torque, heavy-duty Air Core movement withstands severe vibration
- Non-corrosive injection molded casing
- Corrosion resistant exterior hardware
- Heavy-duty, bright incandescent light source with vibration resistant socket
- Splash resistant
- Load dump - meet SAE J1113

See Heavy Duty Industrial Instrumentation brochure for part numbers



BEEDE ELECTRICAL INSTRUMENT CO., INC. • P.O. BOX 8910 • PENACOOK, NH 03303-8910  
TEL: 603-753-6362 • FAX 603-753-6201 • EMAIL: sales@beede.com • WEB SITE: <http://www.beede.com>



ISO 9001 Certified  
CE • Q1 • QUEST • FMC

## Specifications for Heavy-Duty Industrial Gauges – Electric

### HEAVY-DUTY INDUSTRIAL SERIES

#### ENVIRONMENTAL SPECIFICATIONS

**Accuracy**

Gauges vary with application type. Please contact factory for specific information.

**Temperature**

Operating: -20°F to +185°F (-30°C to 70°C)  
Maximum Change: ±2% F.S. from 75°F (24°C) indication.

**Shock**

50G, 9-13 ms half sine, 25 shocks in each of three orthogonal axes with no damage.

**Vibration**

0.060" double amplitude 10-80-10 Hz. Two hours in each of three orthogonal axes: remains within initial accuracy.

**Salt Spray**

Meets or exceeds ASTM 117, 48 hours.

**Operating Voltage**

12-16 VDC standard; for 24 VDC operation, contact factory.

**Over Voltage**

Withstands 18 V continuously for one hour.

**Reverse Polarity Protection**

Standard, all instruments.

**Voltage Variance**

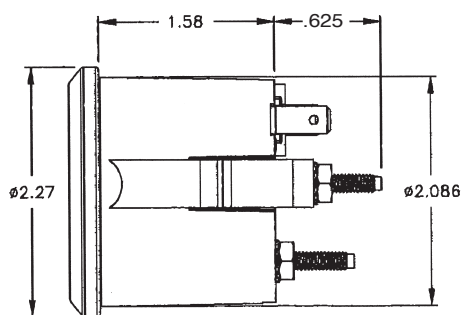
±1% of initial reading, 12-16 VDC.

**Load Dump**

Meets SAE J1113, 3 positive 80 V transients, one minute intervals.

**Installation**

Recommended Hole Size is 2.125" (2<sup>1</sup>/<sub>8</sub>")  
Hourmeter: Recommended Hole Size is 2.031"



HDE-0503

BEEDE ELECTRICAL INSTRUMENT CO., INC. • P.O. BOX 8910 • PENACOOK, NH 03303-8910  
TEL: 603-753-6362 • FAX 603-753-6201 • EMAIL: sales@beede.com • WEB SITE: <http://www.beede.com>

INDUSTRIAL GAUGES -  
ELECTRICAL