



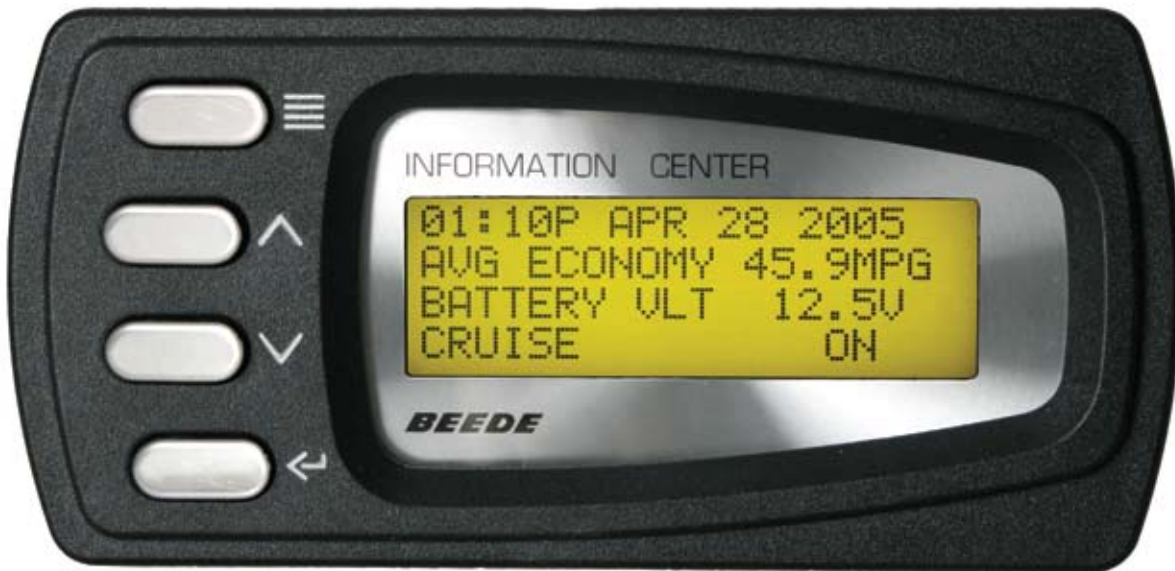
BEEDE

Engine instrumentation and electronics • Custom engineered for top line performance

Electrical Instrument Company, Inc.

SAE J1939 Information Center

Use as a stand-alone unit or complement your existing Beede instrument package



Actual size shown

FEATURES

- Monitors more than 30 SAE J1939 parameters including:
 - Battery Voltage
 - Boost Pressure
 - Brake Pressure
 - Engine Coolant Temperature
 - Engine Oil Level
 - Engine Oil Pressure
 - Engine Oil Temperature
 - Engine RPM
 - Fuel Level
 - Speed
 - Transmission Oil Pressure
 - Transmission Oil Temperature
 - Water In Fuel
- Monitors user-defined functions providing visual and audible alerts
- Monitors and stores SAE J1939 faults
- Interfaces directly to SAE J1939 data bus (CAN Network)
- Data displayed in English or Metric units
- Backlit LCD display
- Custom dial graphics, colors and logo optional
- Sealed keypad and water-tight viewing area
- Configurable display for user convenience
- Built-in clock and date display

BEEDE proudly manufactures precision instrumentation for OEM's and their suppliers for:

- Agricultural
- Automotive
- Industrial
- Marine
- Truck
- Bus

Please contact **BEEDE** for your standard & custom instrumentation requirements.



BEEDE ELECTRICAL INSTRUMENT CO., INC. • P.O. BOX 8910 • PENACOOK, NH 03303-8910
TEL: 603-753-6362 • FAX 603-753-6201 • EMAIL: sales@beede.com
WEB SITE: <http://www.beede.com>



When You Really Care About Quality



BEEDE

Engine instrumentation and electronics • Custom engineered for top line performance
Electrical Instrument Company, Inc.

SAE J1939 Information Center

Specifications

Temperature

Operating: -20°F to +158°F (-30°C to +70°C)

Shock

50G, 9-13 ms half sine, 25 shocks in each of three orthogonal axes with no damage.

Specifications

Complies with SAE J1939 specifications

Vibration

0.060" double amplitude 10-80-10Hz. Two hours in each of three orthogonal axes.

Operating Voltage

11-16 VDC standard; for 24 VDC operation, contact factory

Reverse Polarity Protection

Standard, entire system, including instruments

Load Dump

Meets SAE J1113, 3 positive 80V transients, one minute intervals.

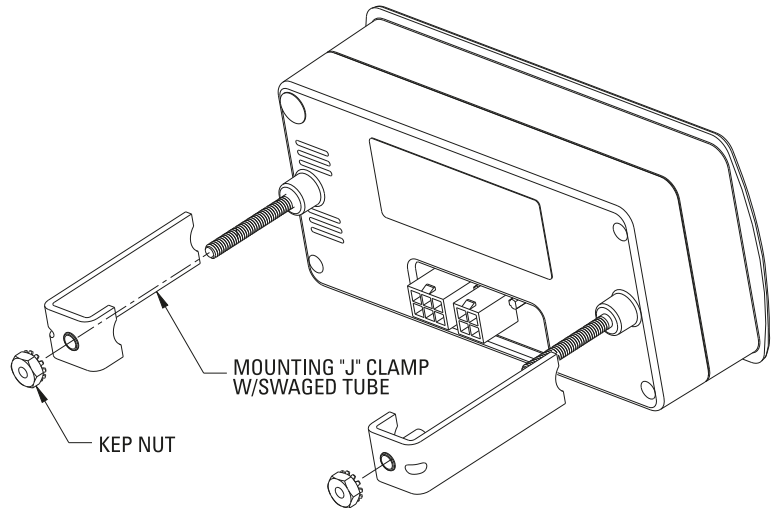
Connectors

6-Pin: Power and audio alarm connector (J1) mating connector: AMP Inc. Mini-Universal MATE-N-LOK P/N 172168-1

4-Pin: J1939 CAN connector (J2) Mating connector: AMP Inc. Mini-Universal MATE-N-LOK P/N 172167-1

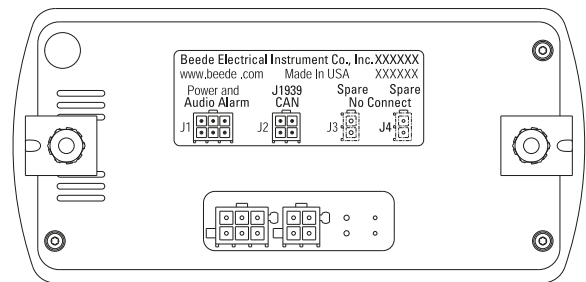
18-MONTH WARRANTY

BEEDE electrical instruments are warranted to be free from defects in materials and/or workmanship under normal use and service for eighteen months. Beede's obligation under this warranty is limited to repair or replacement at our option at our factory.



MOUNTING "J" CLAMP W/SWAGED TUBE

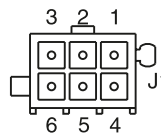
KEP NUT



Beede Electrical Instrument Co., Inc. XXXXXX
www.beede.com Made In USA XXXXXX
Power and Audio Alarm J1939 CAN Spare Spare
J1 J2 J3 J4
No Connect

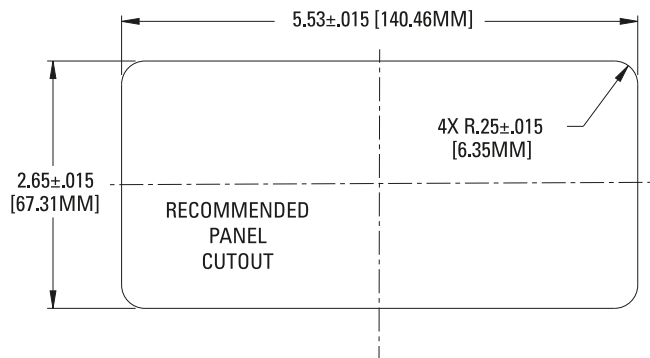
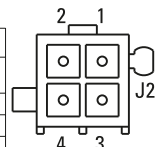
POWER AND AUDIO ALARM (J1) CONNECTION TABLE

PIN #	CONNECTION NAME
1	IGNITION SWITCH
2	NO CONNECTION
3	TIME RETENTION B+ (OPTIONAL)
4	ALARM DEVICE (+) (OPTIONAL)
5	ALARM DEVICE (-) (OPTIONAL)
6	VEHICLE CHASSIS



(J2) 4-PIN CONNECTION

PIN #	CONNECTION NAME
1	CAN-L
2	CAN-H
3	GROUND
4	CONNECT



ISO 9001 Certified Company

When You Really Care About Quality

J 13931C 0905